

Fig 1

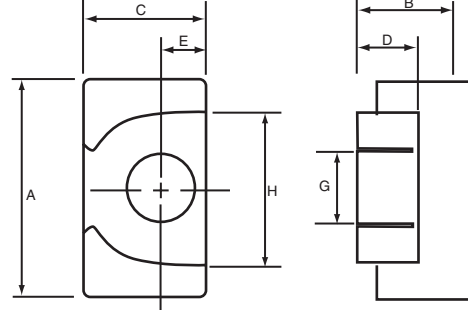


Fig 2

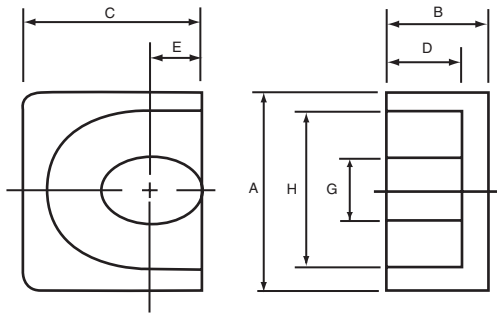


Fig 3

Dimensions and Magnetic Parameters

AL: UNIT nH

CORES SERIES	Fig	Dimensions (mm)								Le mm	Ae mm ²	Ve mm ³	NP1 AL ±25%
		A	B	C	D	E	G	H	C1				
EP 7	1	9.20±0.20	3.70±0.10	6.35±0.20	2.50 Min	1.70 Ref	3.40 Max	7.20 Min	1.52	15.70	10.30	162	1000
EP9.6	3	9.60±0.25	4.60±0.10	10.2±0.25	2.95 Min	3.65 Ref	3.05±0.10	7.40 Min					180
EP10	1	11.50±0.30	5.15±0.10	7.60±0.20	3.75±0.10	1.85 Ref	3.45 Max	9.20 Min	1.62	17.60	10.80	190	920
EP13	1	12.80 ⁺⁰ _{-0.6}	6.60±0.15	8.80±0.25	4.75±0.20	2.40 Ref	4.50 ⁺⁰ _{-0.3}	9.70 ^{+0.6} ₋₀	1.24	24.20	19.50	472	1200
EP20	2	24.20±0.50	10.70±0.20	12.60±0.30	7.40±0.20	4.40 Ref	8.80 ⁺⁰ _{-0.5}	16.48±0.40		-	-	-	3000

AL Values are measured 10KHz 10mv 0.35m/m 2uew 100Ts.